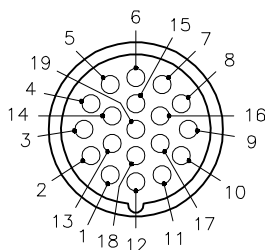
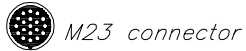
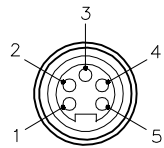


MALE END VIEW (P1)

FEMALE END VIEW (J1-J4)

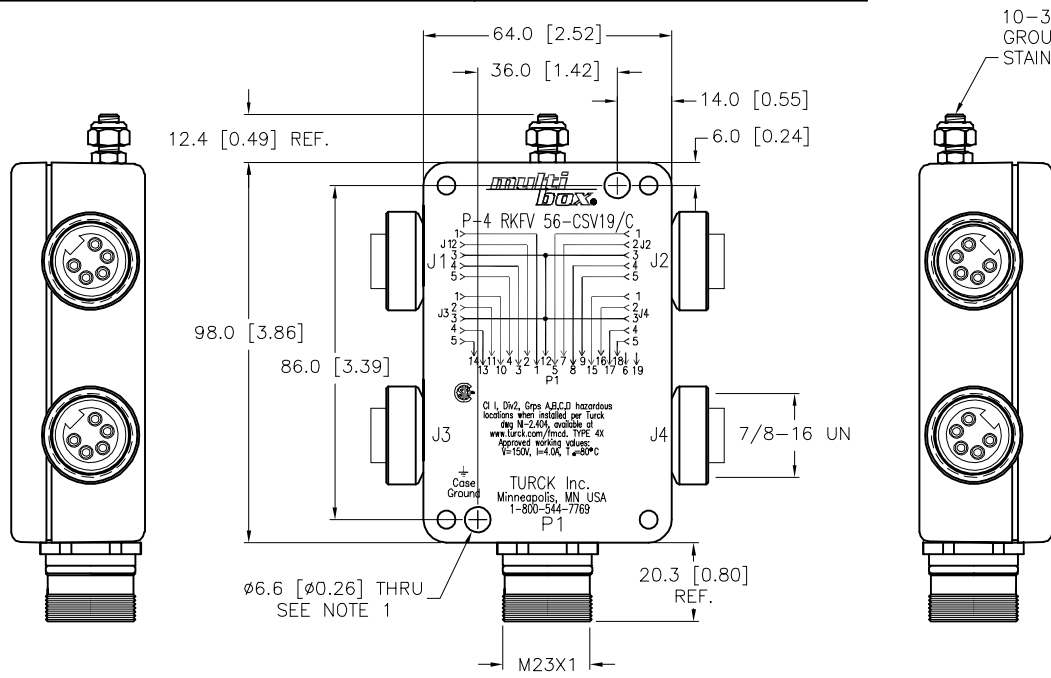


- 1 = PORT 1-1
- 2 = PORT 1-2
- 3 = PORT 1-4
- 4 = PORT 1-5
- 5 = PORT 2-1
- 6 = N/C
- 7 = PORT 2-2
- 8 = PORT 2-4
- 9 = PORT 2-5
- 10 = PORT 3-1
- 11 = PORT 3-2
- 12 = PIN 3 (COMMON)
- 13 = PORT 3-4
- 14 = PORT 3-5
- 15 = PORT 4-1
- 16 = PORT 4-2
- 17 = PORT 4-4
- 18 = PORT 4-5
- 19 = N/C

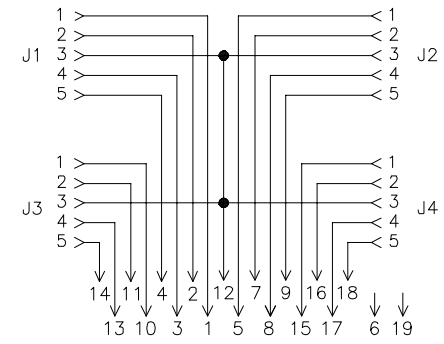


SPECIFICATIONS

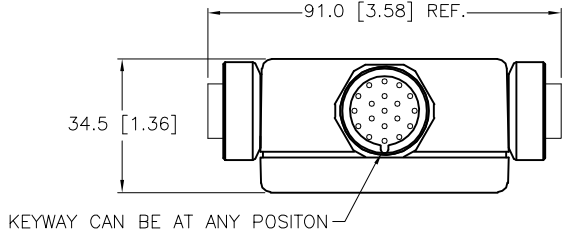
HOUSING MATERIAL	DIE-CAST ALUMINUM ALLOY
HOUSING FINISH/COLOR	POWDER COAT/BLACK
RECEPTACLE HOUSING MAT'L/FINISH	STAINLESS STEEL/PASSIVATED
CONTACT CARRIERS/COLOR (J1-J4)	TPU/BLACK
CONTACT CARRIER/COLOR (P1)	NYLON or PBT/WHITE
CONTACTS	BRASS/GOLD
RATED CURRENT [A]	4.0 A
RATED VOLTAGE [V]	150 V
PROTECTION CLASS to DIN 40050	IP 67 - ONLY WHEN ALL RECEPTACLES ARE COVERED WITH PLUGS OR CONNECTED
OPERATING TEMPERATURE	-40°C to +80°C (-40°F to +176°F)



10-32 ENCLOSURE
GROUND STUD
STAINLESS STEEL



WIRING DIAGRAM



- NOTES:
- CLEARANCE HOLE FOR 1/4-20 MOUNTING SCREWS (2 NOT INCLUDED).

SOURCE DRAWING - FOR REFERENCE ONLY

RELATED DOCUMENTS 1. 2. 3. 4.	3RD ANGLE PROJECTION 	THIS DRAWING IS CONFIDENTIAL AND THE PROPERTY OF TURCK INC. USE OF THIS DOCUMENT WITHOUT WRITTEN PERMISSION IS PROHIBITED.		3000 CAMPUS DRIVE MINNEAPOLIS, MN 55441 1-800-544-7769 (763) 553-7300 (763) 553-0708 fax www.turck.us	
		DRFT	RWC	DATE	03/12/07
MATERIAL SEE SPECIFICATIONS	ALL DIMENSIONS DISPLAYED ON THIS DRAWING ARE FOR REFERENCE ONLY	APVD		SCALE	1=2.0
FINISH SEE SPECIFICATIONS		CONTACT TURCK FOR MORE INFORMATION	UNIT OF MEASUREMENT MILLIMETER [INCH]		IDENTIFICATION NO. U2-10244
DO NOT SCALE THIS DRAWING		FILE: U2-10244		SHEET 1 OF 1	

